

TRADILEVAIN

- ✓ Starter uniformity and stability
- ✓ Simple usage and easy cleaning
- ✓ Stainless steel structure and exterior
- ✓ Exclusive mixing system

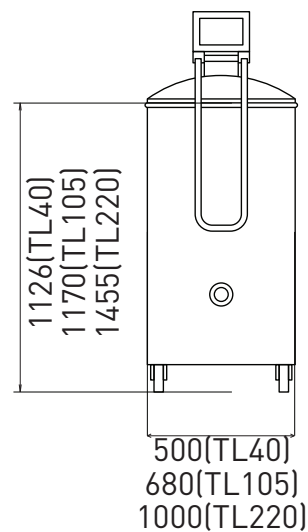
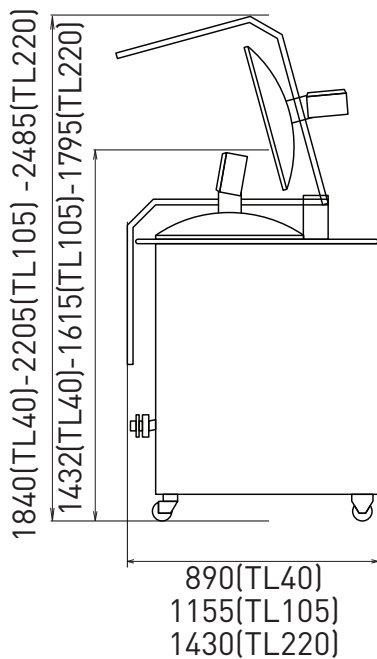


TL40

TL105

TL220

From 40 to 220 litres per cycle





Control panel

Controls and configures the mixing, fermentation and conservation cycles. Informs the user about how cycles are progressing.



Two draining outlets.

The upper outlet tap retains a minimum starter safety volume. The lower outlet allows complete draining.



Exclusive mixing system.

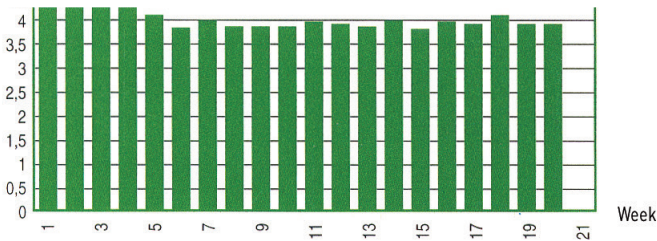
Programmed to ensure ideal agitation. The immersed helix also reduces cleaning and maintenance operations to a minimum.



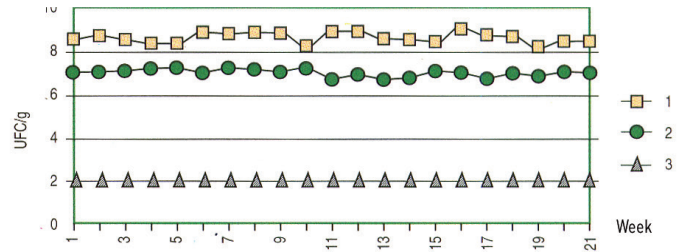
Watertight lid

Fitted with a removable hermetic seal, the Tradilevain ensures a high degree of stability in the sourdough starter.

Stable pH over time



Stable microbial balance over time



FEATURES

	TL40	TL105	TL220
Usable capacity in litres	40	105	220
Tank capacity in litres	80	210	450
Motor power in kW	1.6	3.6	6.25
Net weight in kg	200	290	420

CHOICES

Type of motor	230V three-phase 400V three-phase	230V three-phase 400V three-phase	230V three-phase 400V three-phase